

N572

Night Light Floor Wash

Optics and Applications

A double reflector system produces a wide fan of light across the floor of a normal sized patient room. Light remains at floor level, does not disturb the patient. It is similar to a wall wash, but on the floor. Use in patient rooms, corridors, special care areas, transit zones etc.

Design Features

Reflectors are formed of specular aluminum extrusions, trim frame is cast aluminum, face plate is brushed aluminum. Lamps are inexpensive low wattage incandescent, equivalent in extended life to fluorescent. They are rated for 9,000 hours or approximately two years all night use. Energy use and replacement cost are very low.

Finish

Face plate is anodized brushed aluminum, cast trim is satin white, interior housing parts are optical matte black. Steel parts are phosphate conditioned for corrosion resistance before painting.

General

Mount in wet plaster, dry wall or block construction. Fixtures are UL and C-UL listed. Union made IBEW. Luminaire Efficiency Rating (LER) data do not apply.

Accessories

- TP Tamper proof screws.
- NRS Duplex standard grounded outlets.
- NRH Duplex hospital grade grounded outlets.

Matching Units

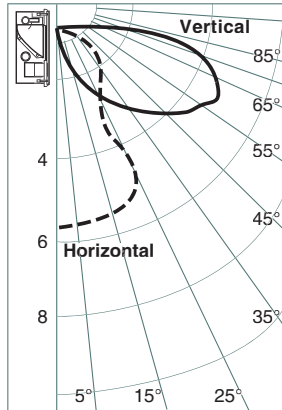
Examination light [Page N1](#)

* Click for link to pages in blue.

Dimensions and Lamps

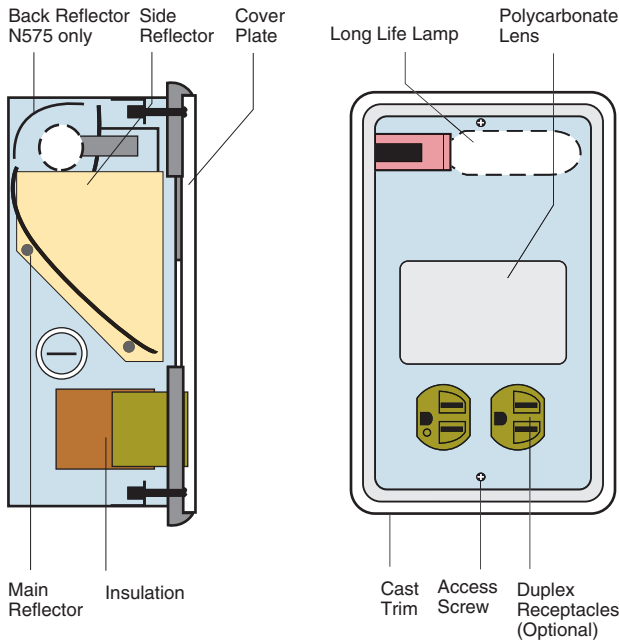
Number	A Width	B Height	C Depth	Lamps
N572	5 1/8" 130mm	8 3/8" 213mm	2 7/8" 71mm	7W C-7 130V Long-life

Candlepower Distribution

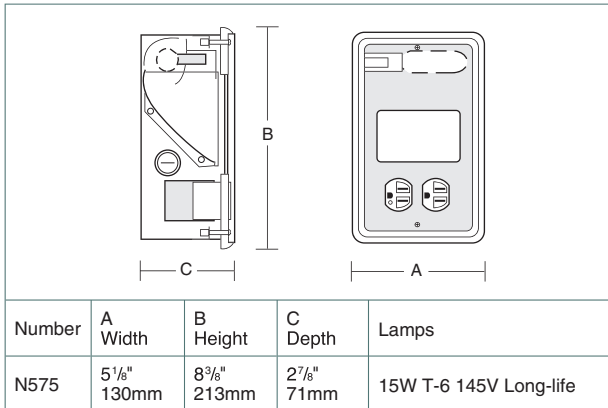


N2

Back



Dimensions and Lamps



N575

Night Light
Floor Wash

Optics and Applications

A double reflector system produces a wide fan of light across the floor of a normal sized patient room. Light remains at floor level, does not disturb the patient. It is similar to a wall wash, but on the floor. Use in patient rooms, corridors, special care areas, transit zones etc.

Design Features

Reflectors are formed of specular aluminum extrusions, trim frame is cast aluminum, face plate is brushed aluminum. Lamps are inexpensive low wattage incandescent, equivalent in extended life to fluorescent. They are rated for 20,000 hours or approximately four years all night use. Energy use and replacement cost are very low.

Finish

Face plate is anodized brushed aluminum, cast trim is satin white, interior housing parts are optical matte black. Steel parts are phosphate conditioned for corrosion resistance before painting.

General

Mount in wet plaster, dry wall or block construction. Fixtures are UL and C-UL listed. Union made IBEW. Luminaire Efficiency Rating (LER) data do not apply.

Accessories

- TP Tamper proof screws.
- NRS Duplex standard grounded outlets.
- NRH Duplex hospital grade grounded outlets.

Matching Units

Examination light Page N1

Candlepower Distribution

