

## INSTALLATION INSTRUCTIONS

### RECESSED DOWNLIGHT FIXTURE T4.5, T6 METAL HALIDE

R4402/R4404/R4406

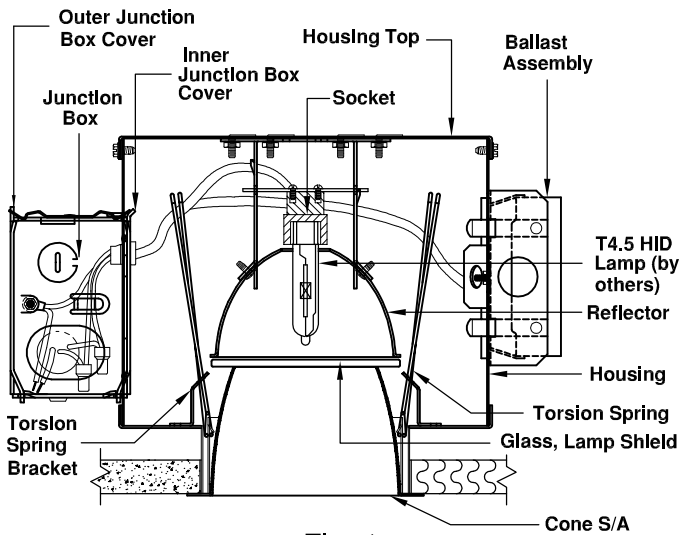


Fig. 1

R4603/R4605/R4607

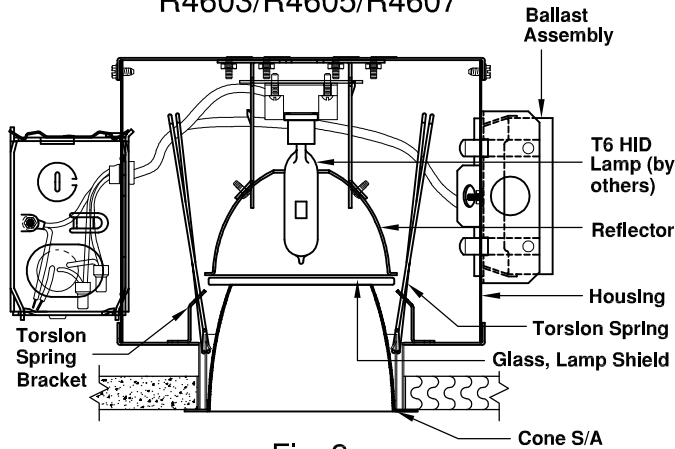


Fig. 2

#### Notes

- 1 Make sure power is off. Building wires must be in compliance with local codes.
- 2 Rails are not supplied unless ordered. They come in two sizes 26" and 52". Contact the factory. Available immediately.
- 3 Fixture must be above ceiling before closing in.

#### Installation

- 1 Remove the cone. Use the aperture ring as a template to mark the tile for the aperture hole.
- 2 Cut hole in tile for a snug fit around the aperture ring.
- 3 Fasten rail supports to internal adjustment brackets on housing. Insert rails by gently squeezing wings of rail supports together to ease passage of rails. Do not squeeze too hard or the rail supports will take a set. When pressure is released, the rail support will lock onto rails. (See Fig. 3 & 6)
- 4 Remove proper knockouts from junction box and attach connectors.
- 5 Place fixture in tile hole. Tie the rails loosely to support members of the ceiling grid.
- 6 Adjust fixture so aperture frame is flush with finished tile face or 1/16" above. Do not allow aperture frame edge below tile face or more than 1/16" above. Tighten rails to ceiling grid permanently. (See Fig. 6)

#### Wiring

- 1 Attach conduit or flex to junction box. Make all splices.
- 2 Fixture must be grounded with green screw or grounding wire provided.

#### Installation of Metal Halide T4.5/T6 Lamp.

Remove cone assembly and push T4.5/T6 lamp into socket. Push back cone assembly. (See Fig. 5)

#### Caution: Lamp Glass Shield must be used with HID Lamps.

**Installation of Cone:** Place torsion springs on cone assembly into torsion spring brackets on aperture push up on cone. To remove hold cone flange, pull down, depress springs & remove. See Fig 5

**Access to Junction Box:** Remove cone assembly, remove lamp, loosen screws on reflector, remove reflector, remove inner junction box cover. (See Fig. 1)

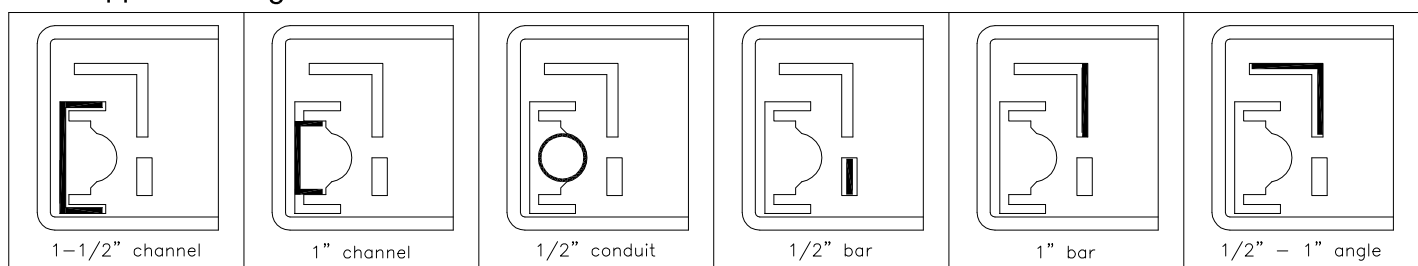
#### Quality Control

Every effort is made to assure that our products reach the job in perfect condition. We welcome your comments. Kurt Versen Company may change construction periodically without notice as part of its program for product improvement.

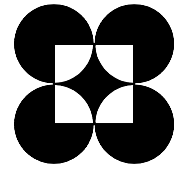
#### Warning

Risk of fire. Do not install insulation within three inches of the fixture sides or top in such a manner as to entrap heat.

#### Rail Supports Fig.3



Supports accept many types of rails. Job site scrap may be used.



## INSTALLATION INSTRUCTIONS

**CAUTION: BEFORE RELAMPING OR REPLACING ANY ITEM  
"TURN OFF POWER".**

### INSTALLATION OF GLASS LAMP SHIELD

To remove the glass lamp shield, depress lamp shield spring.  
To install the glass lamp shield, push away lamp shield springs  
to allow the glass lamp shield sitting on top of cone and  
release the lamp shield springs. (See Fig. 4)

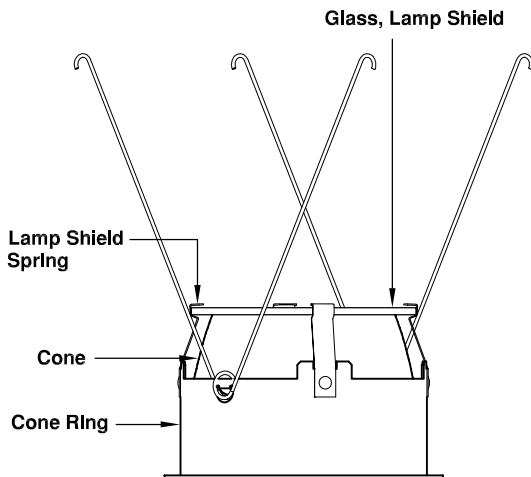


Fig. 4

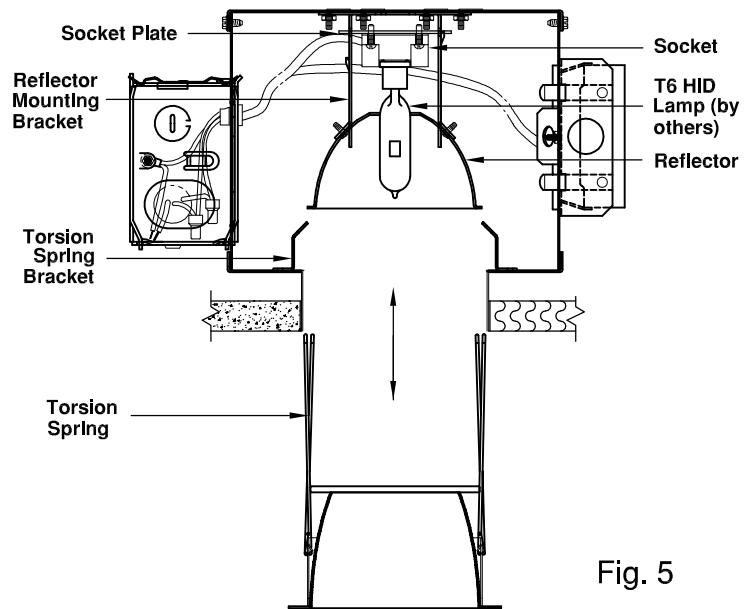


Fig. 5

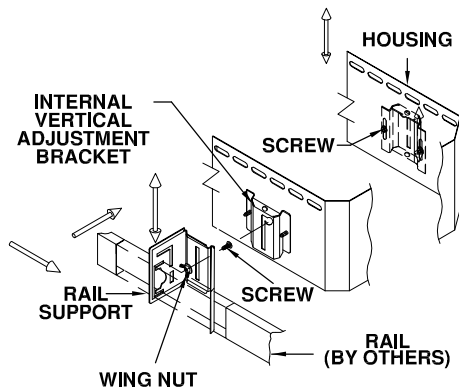


Fig. 6

### CORRECTIVE ADJUSTMENT (Fig. 6)

(AFTER INITIAL INSTALLATION)

- A Remove cone.
- B Loosen all 4 screws. (2 on each end)
- C To move fixture up, push up against the housing top.
- D To move fixture down, pull down on the aperture pan.
- E Once in the correct position, tighten all 4 screws.
- F Reinstall cone.