

- B2146** Narrow Beam, 1000 lm, 1300 lm
- B2144** Medium Beam, 1000 lm, 1300 lm
- B2142** Wide Beam, 1000 lm, 1300 lm

Directional Downlights, 4 1/2" Square Parabolic Trim
Xicato Remote Phosphor
Flex Function, MultiSource™ Technology

Optics and Applications
 Directional systems are designed with locking capability to rotate 360° and angulate 35°. Optics designed to control the rigors of sloped ceiling installations. Beam distributions can be changed in the field.

Design Features - MultiSource™ Capable
 Flex Function design allows future functions to be changed in the field from below. Downlights/Directionals can become wall washers and vice versa. Fixture housings are designed with MultiSource™ plug and play connectors allowing field conversion to PAR LED and MH MR-16 GX10 bases. The fixture incorporates an aperture assembly which slides 1/4" in any direction and pivots 7° while maintaining optimum photometric performance. Proprietary passive heat sinks ensure proper temperatures are maintained. Service from below only. Maximum ceiling thickness is 1 1/2".

Modules
 Xicato remote phosphor modules use high efficiency blue LEDs that convert to white light when directed through a phosphor lens. Standard lumen packages are 1000 lm module operating on 700mA driver or 1300 lm module operating on 1A driver. 3000K, 80 CRI is standard. 2700K, 3500K, 4000K available. Rated Life is 50,000 hours at 70% lumen output.

Dimming Driver
 Dimming is standard 0-10V/10%. See accessories for additional dimming options. Specify voltage.

Finish
 Standard trim is anodized Softglow® clear. SoftSheen™ is a new finish that lowers apparent increased brightness due to remote phosphor sources. Colors available, see accessories. Steel parts are phosphate conditioned then painted matte black to suppress light leaks.

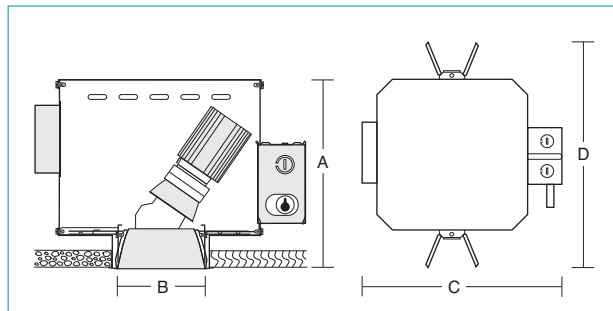
Warranty
 5 year limited. See KV website for manufacturers details.

General
 Fixture is pre-wired and thermally protected, UL and C-UL listed, for damp location and eight wire, 75°C, branch circuit wiring. All products are union made IBEW. Designed and manufactured in the USA.

- Accessories**
- SB Softglow black.
 - SG Softglow gold.
 - SH Softglow mocha.
 - SP Softglow graphite.
 - WT White trim flange.
 - SO Solite lens.
 - LL Linear lens.
 - LP Large prism lens.
 - MP Microprism lens.
 - R2 26" support rails.
 - R5 52" support rails.
 - F Fuse.
 - D1 Lutron to 1%, 3 wire control*
 - DE Lutron EcoSystem to 1%, digital 4 wire*
 - 70 700mA Driver for 1300 lm module*(N/A with Lutron)
 - ST Softglow titanium.
 - SW Softglow wheat.
 - SY Softglow pewter.
 - SZ Softglow bronze.
 - WHT White complete cone.
 - DP Fixed downlight position.
 - FR Frosted Lens.
 - FMH4 Flush mount, contact factory.
 - FLT4 Full lens trim, specify lens type.
 - 27 2700 Kelvin temp.
 - 35 3500 Kelvin temp.
 - 40 4000 Kelvin temp.

*Specify voltage.
 REM Remote Bodine EM. Includes battery pack, charger light, test switch and single lamp operation for 90 minutes. Ceiling access required.
 SS SoftSheen™ add SS to color, or SS SoftSheen™ clear. For Xicato Artist Series 95 CRI modules, contact factory.

Dimensions and Sources



Number	A Depth	B Aperture	C Width	D Length	LED Module
B2146	9 5/16"	4 1/2"	14 3/4"	16 3/8"	1000 lm or
B2144	252mm	114mm	375mm	416mm	1300 lm
B2142					Xicato

Energy and Ordering Information

Fixture	Module Lumens	Amps	System Lumens	System Watts	lm/W	Order Code				
						Model	L	K	V A	
B2146	1000	700mA	688 ^Δ	23	29.9	B2146	10	30	27	70
	1300*	700mA	-	-	-	B2146	13	30	27	70
	1300	1A	860 [†]	27.8	31	B2146	13	30	27	1A
B2144	1000	700mA	690 ^Δ	23	30	B2144	10	30	27	70
	1300*	700mA	-	-	-	B2144	13	30	27	70
	1300	1A	881 [†]	27.9	31.5	B2144	13	30	27	1A
B2142	1000	700mA	618 ^Δ	23	26.9	B2142	10	30	27	70
	1300*	700mA	-	-	-	B2142	13	30	27	70
	1300	1A	1010 [†]	27.9	36.2	B2142	13	30	27	1A

Fixture provided standard as 3000K operating on 277V, specular cone. For other Kelvin color temperatures: change 30 to 27 for 2700K, 35 for 3500K, 40 for 4000K. For 120 volt change 27 to 12. Add D1 for Lutron to 1%, add DE for Lutron Eco to 1%. Finish: add SS for SoftSheen™. See accessories for colors. e.g.: B214613302770SSD1 for B2146 1300 lm 3000K 277V 700mA with SoftSheen™ cone, Lutron dimming to 1%. *700mA not available with Lutron. [†]Indicates LM-79 Test Data. ^ΔIndicates Preliminary KV Test Data.

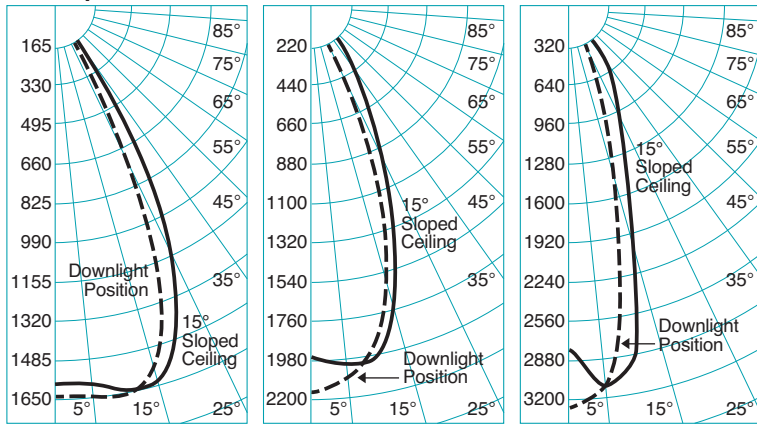
B21 B2146 B2144 B2142

Performance Datachart

Single Unit Initial Footcandles, 30" Work Plane						Ceiling to Floor	Multiple Units Initial Footcandles, 30" Work Plane				
B2142 Xicato 1300 Im 3000K 1Amp Read Top							Ceiling 80% Walls 50% Floor 20%				
B2144 Xicato 1300 Im 3000K 1Amp Read Bottom							Spacing is Maximum Over Work Plane				
Nadir	10°		20°		30°		Spacing	RCR 1	RCR 3	RCR 8	
FC	FC	Diam	FC	Diam	FC		Diam				
54	52	2'	37	4'	6	6'	8'	5'	53	48	38
71	61	2'	29	4'	3	6'		4'	77	70	57
39	37	2'	27	5'	4	8'	9'	5'	38	34	27
51	44	2'	21	5'	2	8'		4'	55	50	41
29	28	3'	20	5'	3	9'	10'	6'	29	26	20
38	33	3'	16	5'	1	9'		5'	42	37	30
23	22	3'	16	6'	2	10'	11'	7'	22	20	16
30	26	3'	12	6'	1	10'		6'	32	29	24
18	17	3'	12	7'	2	11'	12'	8'	18	16	13
24	21	3'	10	7'	1	11'		6'	26	23	19

Single Unit Initial Footcandles, 30" Work Plane						Ceiling to Floor	Multiple Units Initial Footcandles, 30" Work Plane				
B2146 Xicato 1300 Im 3000K 1Amp							Ceiling 80% Walls 50% Floor 20%				
Nadir							Spacing is Maximum Over Work Plane				
10°		15°		20°			Spacing	RCR 1	RCR 3	RCR 8	
FC	FC	Diam	FC	Diam	FC		Diam				
59	40	3'	23	4'	12	5'	10'	3'	87	80	67
46	31	3'	18	5'	10	6'		4'	68	62	53
37	25	3'	14	5'	8	7'	12'	4'	54	50	42
25	17	4'	10	6'	5	8'		5'	37	34	29
18	12	5'	7	7'	4	10'	16'	6'	27	25	21

Candlepower Distribution



B2142 Xicato 1300 Im 3000K 1Amp Driver
 — 15° Sloped Ceiling: Luminous efficacy 38.0 S/M .86
 - - - Downlight: Luminous efficacy 36.2 S/M .83

B2144 Xicato 1300 Im 3000K 1Amp Driver
 — 15° Sloped Ceiling: Luminous efficacy 30.1 S/M .67
 - - - Downlight: Luminous efficacy 31.5 S/M .66

B2146 Xicato 1300 Im 3000K 1Amp Driver
 — 15° Sloped Ceiling: Luminous efficacy 28.9 S/M .44
 - - - Downlight: Luminous efficacy 31.0 S/M .46

Candelas

	15° Sloped Ceiling	Downlight Position	15° Sloped Ceiling	Downlight Position	15° Sloped Ceiling	Downlight Position
o	1060*	1002*	838*	881*	804*	860*
0	1575	1631	1967	2156	2795	3320
5	1576	1644	2015	2096	3081	3089
10	1644	1651	1993	1940	2904	2330
15	1643	1581	1720	1594	2050	1424
20	1486	1358	1260	1056	1301	837
25	1129	731	851	422	889	317
30	669	278	632	124	654	74
35	298	78	441	35	508	16
40	92	17	213	12	257	7
45	46	5	44	5	29	4
50	32	0	25	4	17	3
55	22	0	14	1	11	0
60	14	0	8	0	7	0
65	9	0	6	0	5	0
70	7	0	4	0	4	0
75	5	0	3	0	0	0
80	3	0	0	0	0	0
85	0	0	0	0	0	0
90	0	0	0	0	0	0

o Vertical Angles
 * Luminaire Lumens

Notes

- 1 Photometric Report: B2146 LTL Report No. 25368, 26459. B2144 LTL Report No. 25371, 26460. B2142 LTL Report No. 25374, 26461.
- 2 Data on all charts calculated with a clear Softglow® trim finish.
- 3 Softglow® colored trim multipliers, contact factory.
- 4 SoftSheen™ trim multipliers, contact factory.
- 5 Single unit Datachart pattern diameters are determined by the number of degrees from each side of nadir. Therefore a 15° diameter represents a total 30° pattern width at the work plane 30" above the floor. Footcandle values are at the edge of that diameter.
- 6 Datachart spacing is rounded off to the nearest foot.
- 7 The luminous efficacy (lm/W) refers to the total measured luminous flux (lumens) of the fixture divided by the total measured electrical input power (watts) of the complete fixture.

